

GPS Tracker User Manual

Preface

Thank you for purchasing the tracker. This manual shows how to operate the device smoothly and correctly. Make sure to read this manual carefully before using this product. Please note that specification and information are subject to changes without prior notice in this manual.

Any change will be integrated in the latest release. The manufacturer assumes no responsibility for any errors or omissions in this document.

◆ Quick using

- 1) Open device case, proper insert GSM card, connect external power supply, **Must turn on small switch inside SIM card hole.**
- 2) Put device outside, around 30s three lights will keep lighting on stands for device can work normally.

1. Specifications

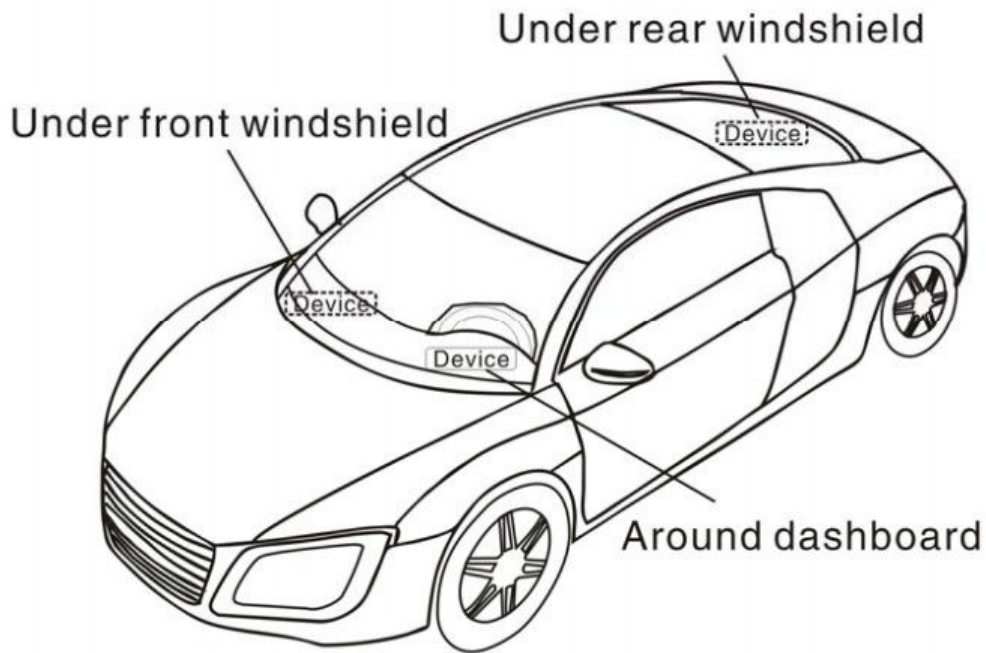
Content	Spec
Dim.	80mm x 33mm x 22mm
Weight	50g
Network	4G+2G network
Band	LTE-FDD B1/B2/B3/B4/B5/B7/B8/B28/B66 GSM 850/900/1800/1900MHz GSM 850/900/1800/1900MHz
GPS chip	SIMCOM
GSM module	SIMCOM7670SA
GPS sensitivity	-159dBm
GPS accuracy	5m
Time To First Fix	Cold status 45s Warm status 35s Hot status 1s
Work voltage	9V-80V
Storage Temp.	-40°C to
Operation Temp.	-20°C to

◆ Installation attentions

NOTE: device front side towards the sky.

When install in car, if the windscreen glued by metal thermal insulation layer or heating layer, it will reduce the GPS receive signal and lead to

GPS work disorder.



Device light description

Light	Represents
yellow	GSM signal normal
blue	GPS signal normal
Red	Power

1. Installation instructions

1. Preparation

- 1.1. Open the package to check the device model number is correct, be with full accessories, or else please contact your supplier;

Choose SIM card, need insert a GSM SIM card into the device, please refer to the suggestion of your supplier for SIM card choice.

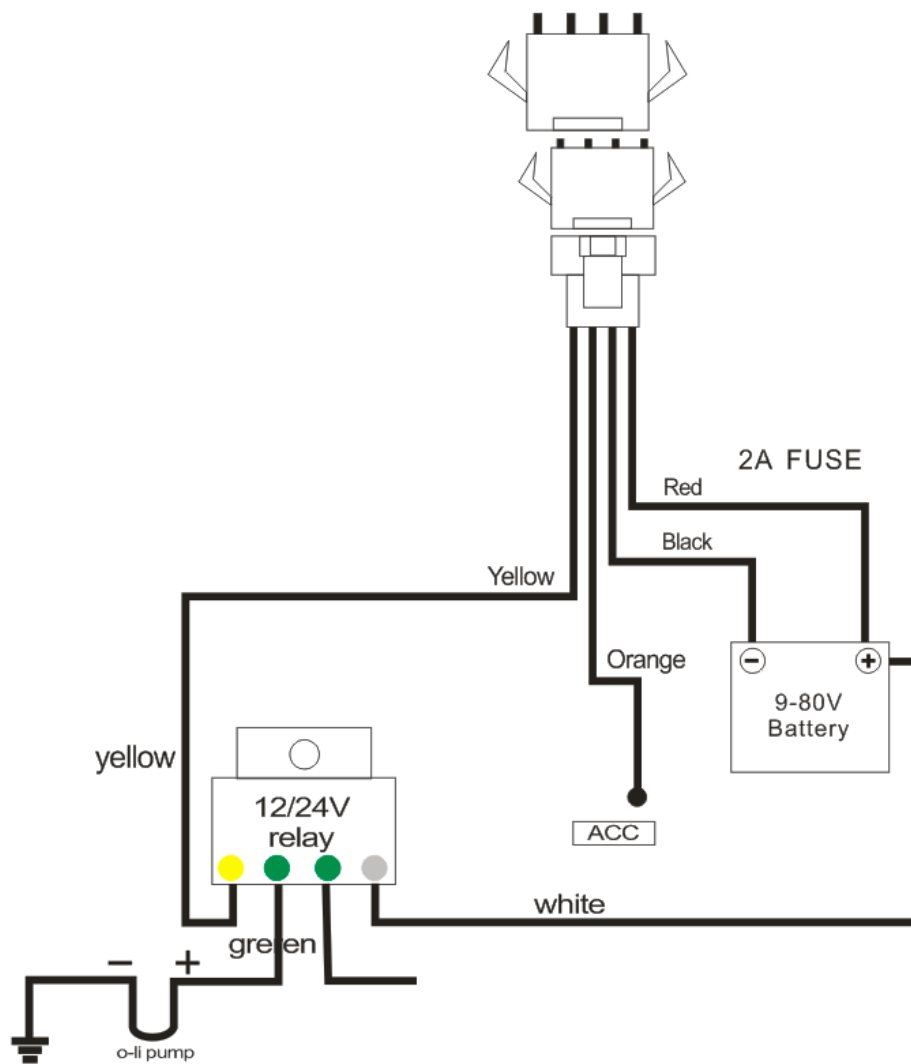
Notice:

Please insert SIM card before turning the device power switch to on;

The SIM card need open the GPRS function;

Please make sure SIM card with full balance.

2. Device wiring requirements



3. SMS command list

Number	Functional item	SMS command	Command reply
1	Restore the initial settings except IP, port, APN	FORMAT	FORMAT

2	APN query	APN#	Reply: APN:cmnet,,
3	APN set	APN,cmnet,,# APN,cmnet,aaa,bbb#	Command expmable: APN,cmnet,,# Cmnet is APN,it has no user name and password Example: APN,cmnet,internet,cmnet# Cmnet is APN,internet is APN user name,cmnet is APN password
4	Server parameter query	SERVER#	R e p l y : SERVER:0,103.44.239.119,8011,0
5	Server parameter settings	1、 Set the domain name: SERVER, 1, domain name, port, 0# 2、 Set IP: SERVER, 0, IP, port, 0 # The last 0 represents: TCP	SMS:SERVER,0,154.23.114.25,8011,0# R e p l y : SERVER:0,154.23.114.25,8011,0
6	Address query (abroad)	URL#	<03-20 22:45>http://maps.google.com/maps?q=+22.601862,+113.832383
7	Status query	STATUS#	Battery:4.23V;GPRS:Offline;GSMSign a 1
8	Query parameter settings	PARAM#	IMEI:123456781911111;TIMER:10,3600;SNEDS:3;HBT:180Sec;Defense:2;
9	Restart command	RESET#	Reply: RESET OK
10	Query the oil and electricity control	RELAY#	Reply: RELAY:0
11	Oil and electricity control	RELAY,1# RELAY,0# 0 Turn on oil and electricity, 1 disconnect	Reply: RELAY 1 OK
12	Add center number1	CENTER,A,center number#	SMS: CENTER,A,8618575518750# Reply: CENTER,A:8618575518750 (86 is China country code)
13	Delete center number1	CENTER,D#	Reply: CENTER Del OK
14	Add center number2	CENTER,A2,center number#	SMS: CENTER,A2,8618007931238# Reply: CENTER,A2:8618007931238
15	Delete center number2	CENTER,D2#	Reply: CENTER D2 Del OK
16	Add center number3	CENTER,A3,center number#	SMS: CENTER,A3,8613912345678# Reply: CENTER,A3:8613912345678
17	Delete center number3	CENTER,D2#	Reply: CENTER D3 Del OK
18	Query center number	CENTER#	Reply: CENTER,A:8618575518750 CENTER,A2:8618007931238 CENTER,A3:8613912345678
19	Add SOS number	SOS,A,number 1,number 2,number 3#	SOS,A,8618575518750# SOS,A,8613912345678,8618007931238# SOS,A,8613912345678,8613912345678,8613912345678#

20	Delete SOS number	SOS,D,number 1,number 2,number 3#	SOS,D,1# SOS,D,1,2# SOS,D,1,2,3# Option to delete 1 or more numbers at a
21	Query SOS number	SOS#	Reply: SOS:8613912345678,8613912345678, 8613912345678
22	Allow auto answering	777#	Reply:Automatic incoming call answering has been set After setting, the device will answer the call automatically after any number
23	Disable automatic answering	888#	Reply:Automatic incoming call answering has been Close After setting, the device will answer the call automatically after SOS or center number (default: forbidden)
24	Set the incoming call function	SZCS#CALL_FUN=A	A=0 voice monitoring function after incoming calls (default,it needs device support microphone) A=1 reply to google link after incoming call SMS: SZCS#CALL_FUN=1 Reply: SETOK: CALL_FUN=1
25	Query the incoming call function	CXCS#CALL_FUN	Reply: READOK: CALL_FUN=1
26	Heartbeat packet setting interval	HBT,T1,T2# T1=60-300seconds, ACC ON heartbeat packet upload interval T2=60~300 minutes, ACC OFF heartbeat packet upload interval	SMS:HBT,180,180# Reply: HBT ACC ON:180s,ACC OFF:180s
27	Query heartbeat packet interval time	HBT#	Reply:HBT ACC ON:180s,ACC OFF:180s
28	Set GPS data timing sending interval	TIMER,T1,T2# T1=5~60 seconds; Upload interval in ACC ON state T2=5~1800seconds; Upload interval in ACC	SMS : TIMER,30,300# Reply : TIMER ACC ON:30s,ACC OFF:300s
29	Query GPS data timing sending interval time	TIMER#	Reply :TIMER ACC ON:30s,ACC OFF:300s
30	Turn on vibration alarm settings	SENALM,A,M# A=ON M=0~2; Alarm reporting method, 0 only GPRS, 1 SMS+GPRS, 2 GPRS+SMS+CALL	SMS : SENALM,ON,2# Reply : SENALM:ON,2
31	Turn off vibration alarm settings	SENALM,OFF#	Reply : SENALM:OFF
32	Query vibration alarm setting parameters	SENALM#	Reply : SENALM:OFF

33	Enable power-off alarm settings	POWERALM,A,M,T1,T2, # A=ON M=0~2; 0 only GPRS, 1 SMS+GPRS, 2 GPRS+SMS+CALL T1=2~60seconds; Power off detection time T2=1-3600seconds	SMS: POWERALM,ON,2,10,10# Reply : POWERALM:ON,2,10,10
34	Turn off the power-off alarm	POWERALM,OFF#	Reply : POWERALM:OFF
35	Query power-off alarm status	POWERALM#	Reply : POWERALM:ON,2,10,10
36	Enable low battery alarm settings	BATALM,A,M# A=ON M=0~1 0 represents: only GPRS, 1 represents: SMS+GPRS	SMS : BATALM,ON,1# Reply : BATALM:ON,1
37	Turn off low battery alarm settings	BATALM,OFF#	Reply : BATALM:OFF
38	Query the low battery alarm status	BATALM#	Reply : BATALM:ON,1
39	Enable movement alarm settings	MOVING,A,R,M# A=ON R=100~1000; movement radius M=0~2; 0 only GPRS, 1 SMS+GPRS; 2 GPRS+SMS+CALL	SMS: MOVING,ON,1000,2# Reply : MOVING:ON,1000,2
40	Turn off movement alarm	MOVING,OFF#	Reply : MOVING:OFF
41	Query the movement setting status	MOVING#	Reply : MOVING:ON,1000,2
42	Turn on overspeed alarm	SPEED,A,B,C,M# A=ON B=5~600 seconds; over speed time C=1~255km/h; speed setting M=0~1; Alarm reporting method, 0 only GPRS, 1SMS+GPRS;	SMS: SPEED,ON,10,120,1# Reply : SPEED:ON,10,120,1
43	Turn off over speed alarm	SPEED,OFF#	Reply : SPEED:OFF
44	Query overspeed setting status	SPEED#	Reply : SPEED:ON,10,120,1
45	Turn on ACC ignition on alarm	ACCALM,A,M# A=ON M=0~3 0 : only GPRS, 1 : GPRS+SMS, 2 : GPRS+CALL, 3 : GPRS+SMS+CALL	SMS : ACCALM,ON,3# Reply : ACCALM:3,OK
46	Turn off ACC ignition on alarm	ACCALM,OFF#	Reply : ACCALM,OFF OK

47	Query ACC ignition on alarm	ACCALM#	Reply : ACCALM:3,OK
48	Turn on the ACC off alarm	ACCOFFALM,A,M# A=ON M=0~3 0 : only GPRS, 1 : GPRS+SMS, 2 : GPRS+CALL, 3 : GPRS+SMS+CALL	SMS: ACCOFFALM,ON,3# Reply : ACCOFFALM:3,OK
49	Turn off the ACC off alarm	ACCOFFALM,OFF#	Reply : ACCOFFALM,OFF OK
50	Query ACC off alarm	ACCOFFALM#	Reply : ACCOFFALM:3,OK
51	Query the sleep working mode	CXCS#SLPDISCONNECT	Reply : READ OK : SLPDISCONNECT=0
52	SMS time zone settings	GMT,A,B,C#	A: E or W;"E" means eastern time zone, "W" means western time zone;default: E B: 0~12;time zone default: 8 C: 0/15/30/45;half time zone;default: 0 SMS: GMT,E,8,0# Reply : GMT:E,8,0
53	SMS time zone query	GMT#	Reply : GMT:E,8,0

Web based platform rackerking.net further details please contact manufacturer. APP: Search: “**Tracker King**” in Google Play Store /APP store.